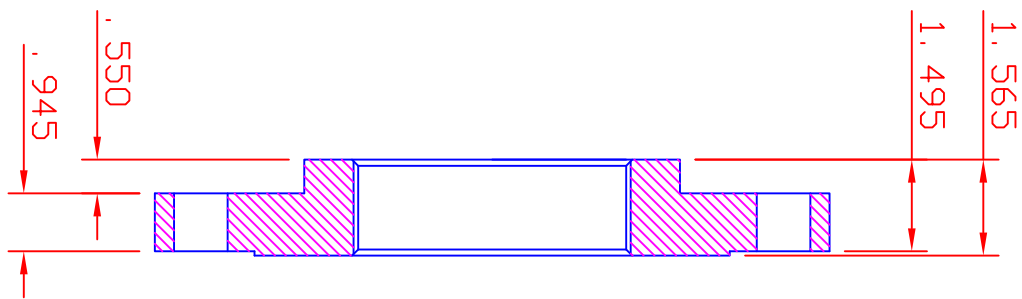
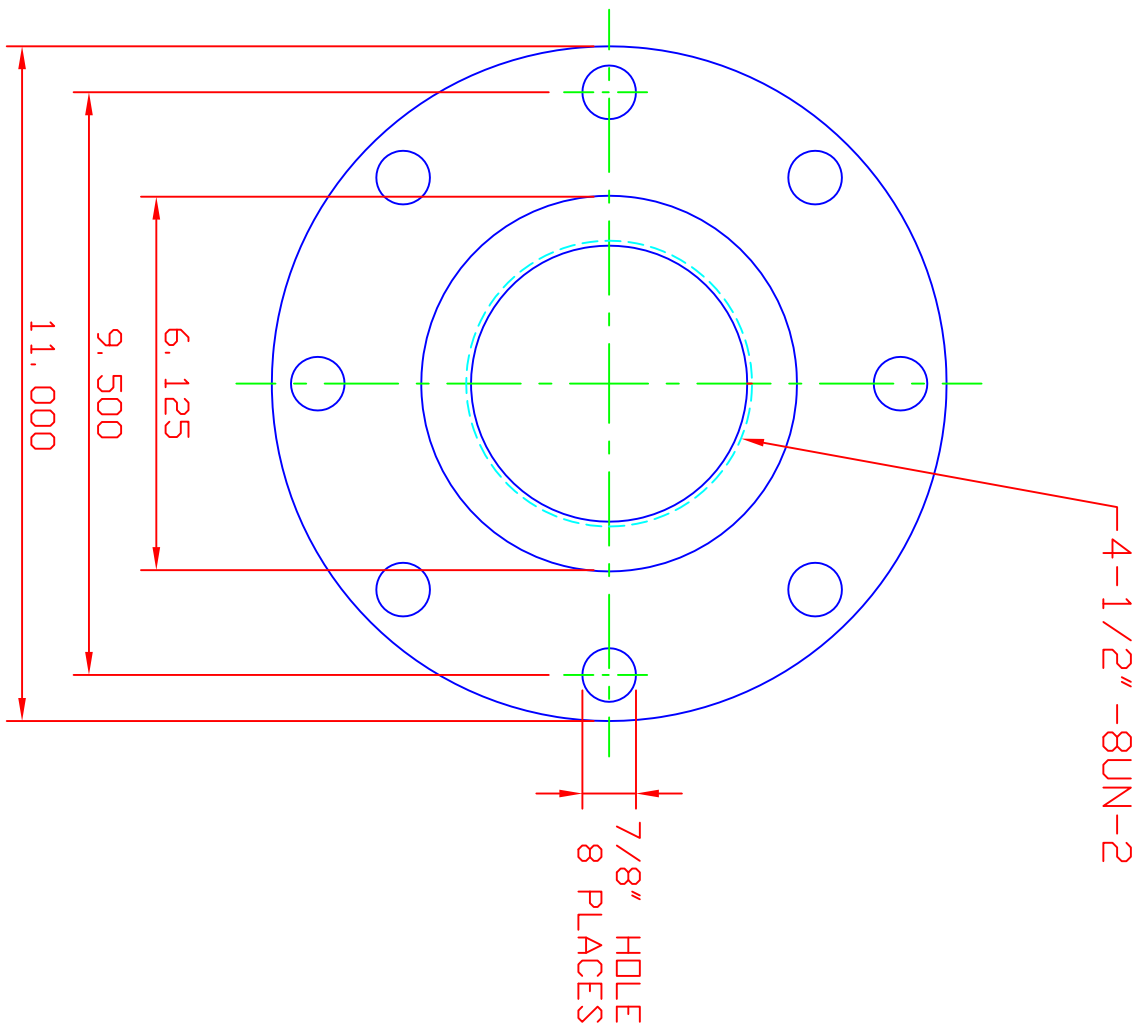


FLANGE	NONE
DESCRIPTION	PART NO.
9-24-01105/SA105	ASTM03/ASME04
DATE	MATERIAL



4500-FLANGE

WESTERN VALVE

DRAWING NO.

114 E. 46th Amarillo, Texas 79105 P.O. Box 2446 806-373-6811 fax 806-373-5971